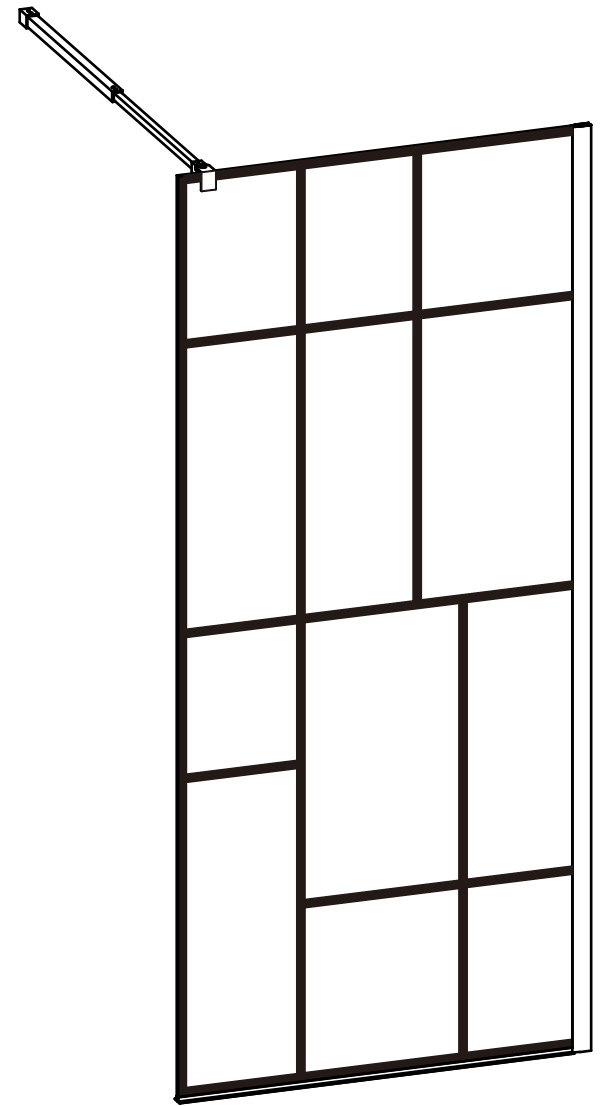
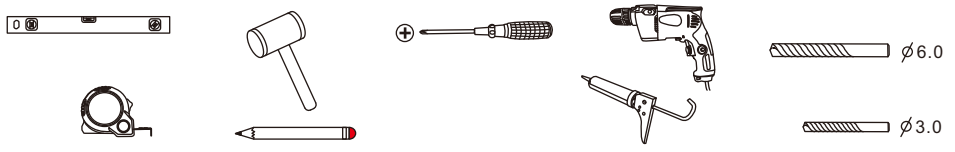


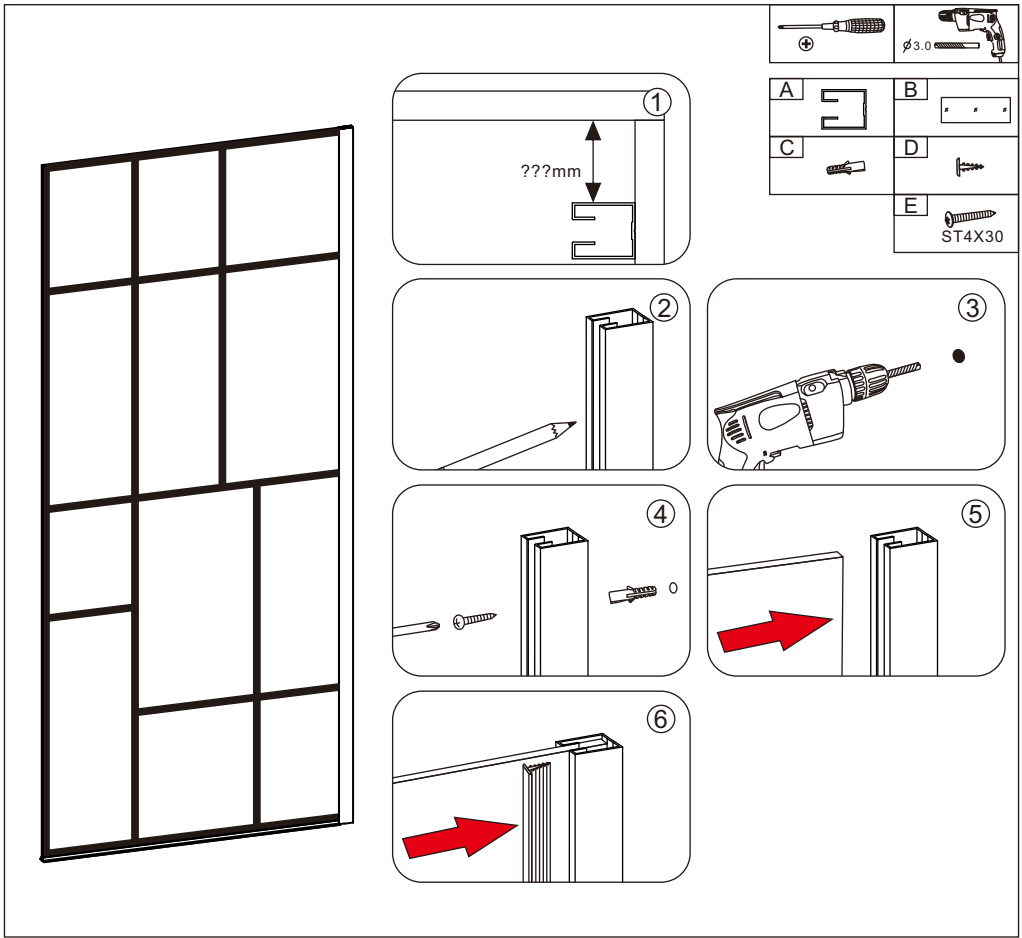
3



SH05



A		X1	D		X1
B		X1	E		X4
C		X4	F		X1



1

2

3

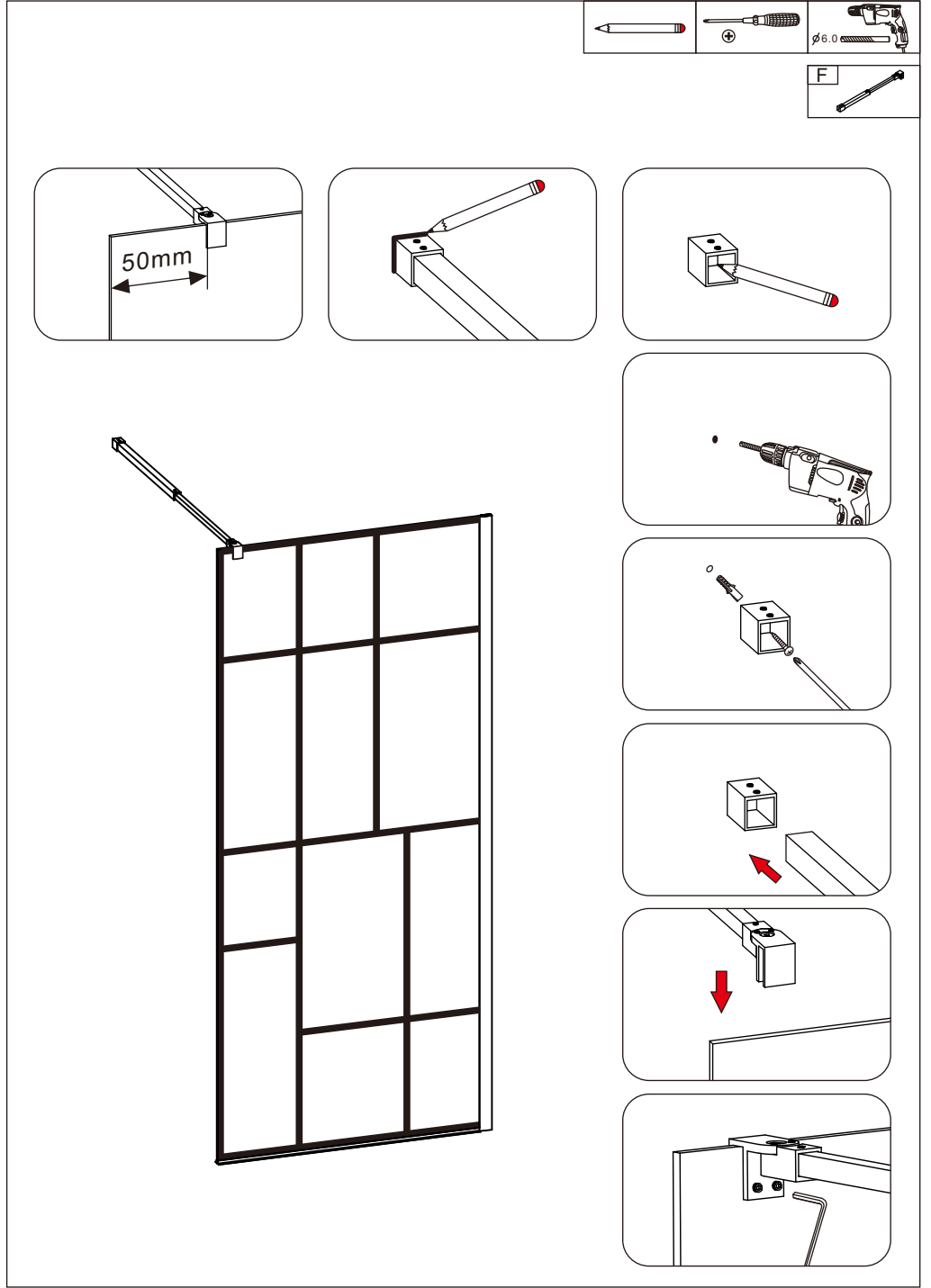
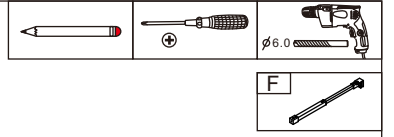
4

5

6

A	B
C	D
	E

1



50mm

		F

2