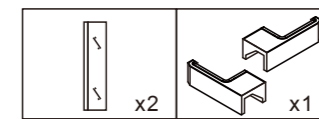
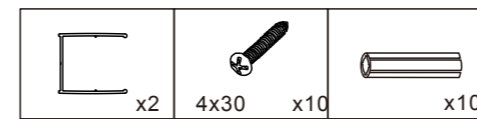
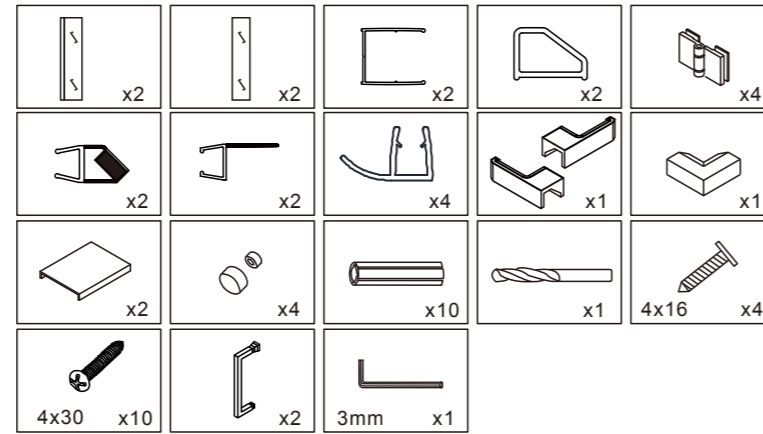


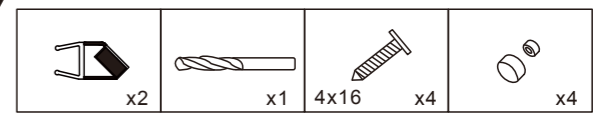
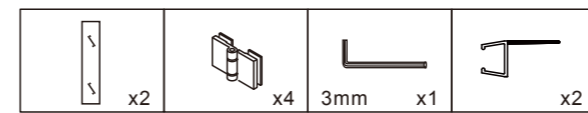
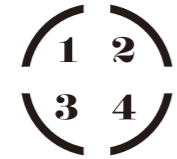
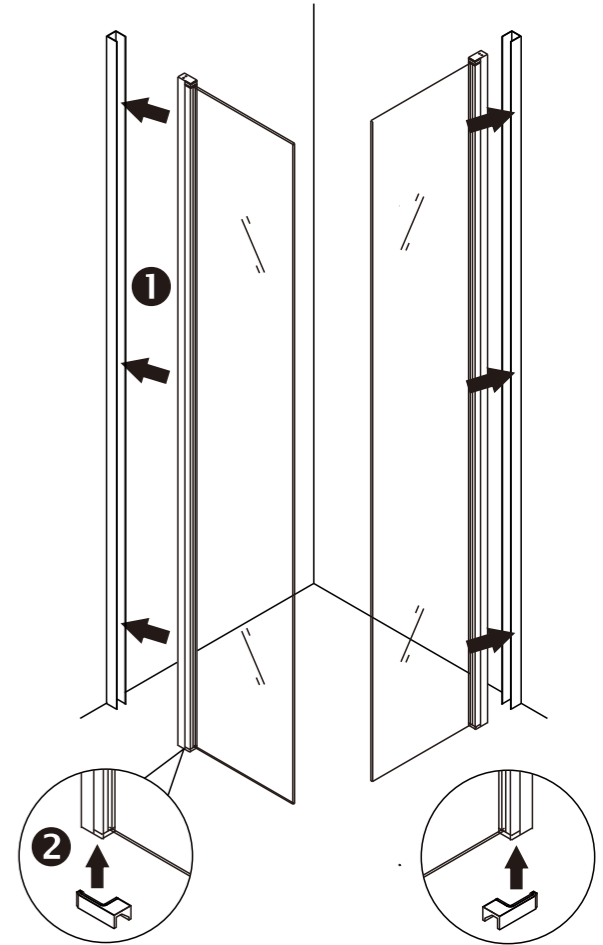
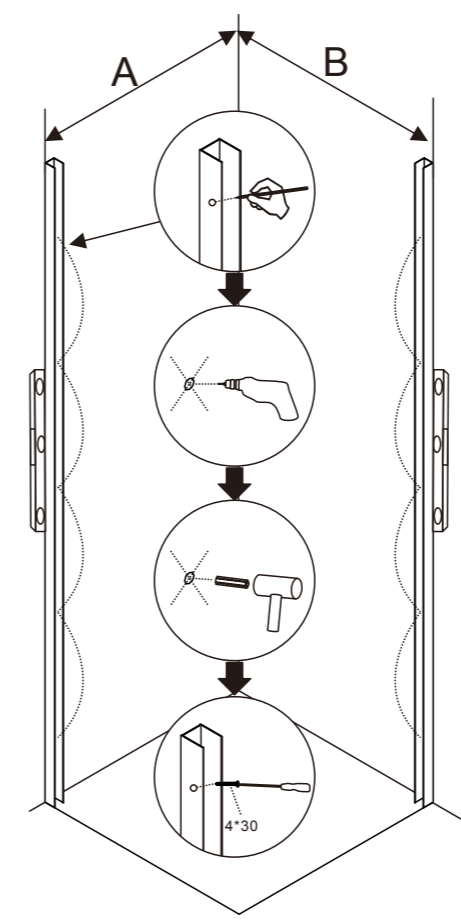
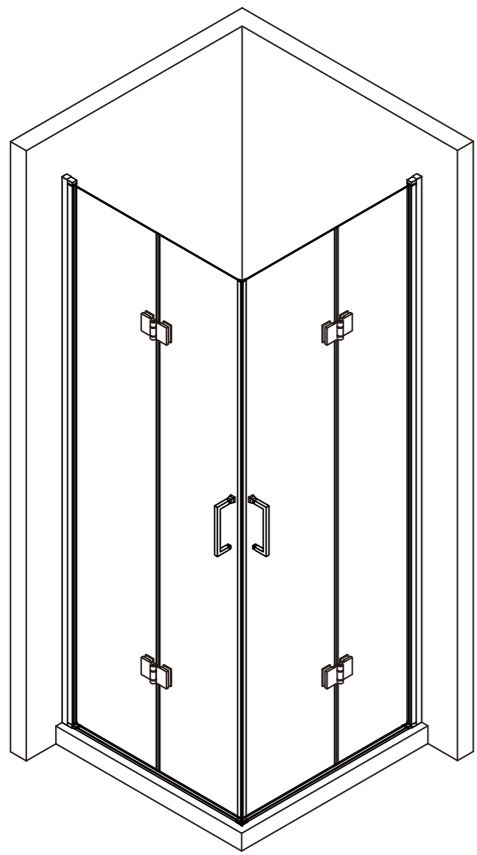
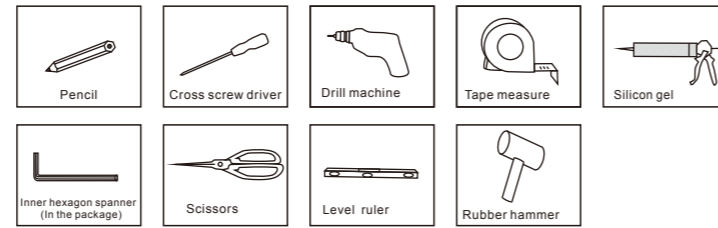
# INSTALLATION MANUAL



## Accessory list



## Tool picture



| SIZE | A(mm)   | C(mm)   |
|------|---------|---------|
| 800  | 790-805 | 790-805 |
| 900  | 890-905 | 890-905 |

| SIZE | B(mm)   | D(mm)   |
|------|---------|---------|
| 800  | 790-805 | 790-805 |
| 900  | 890-905 | 890-905 |

